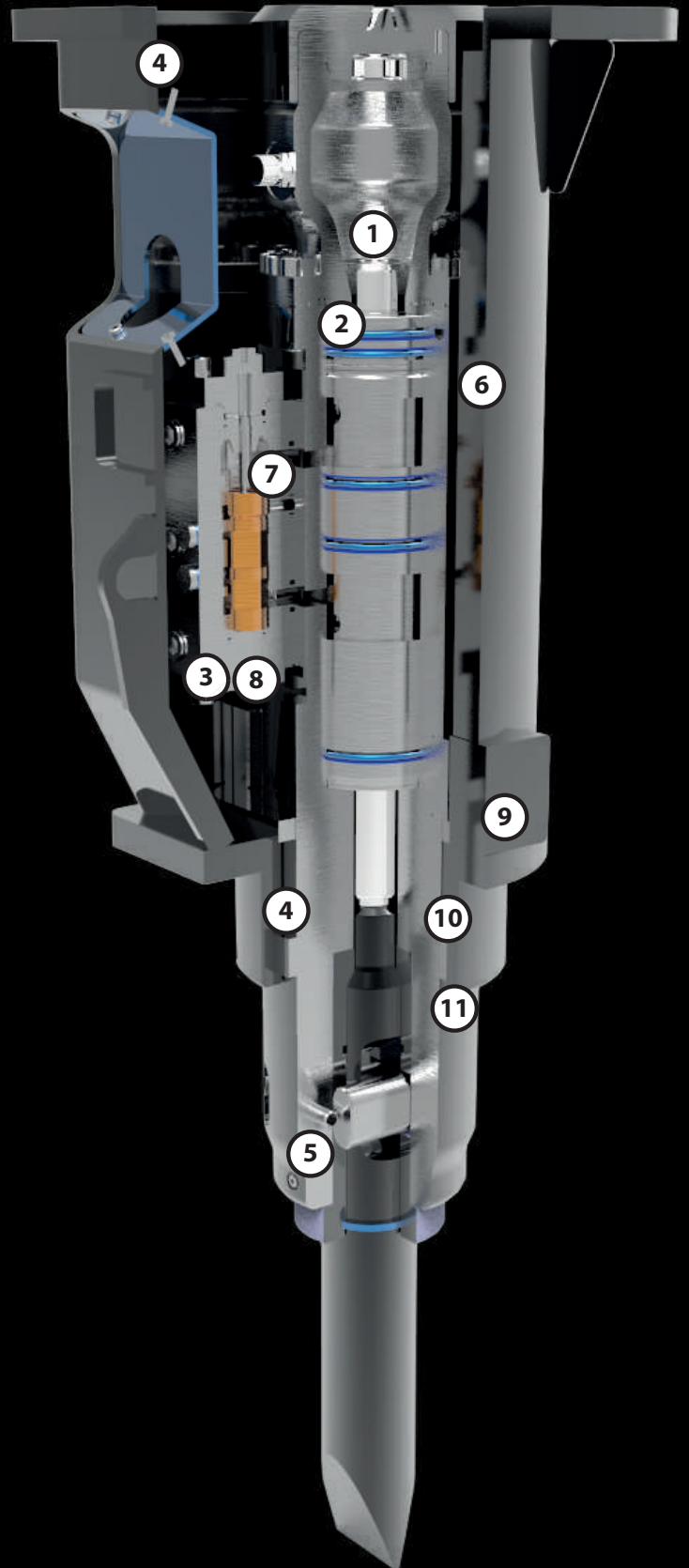


BREAK IN A SMART WAY

Monoblock hydraulic breaker without tie rods and diaphragm

SB SERIES

- 1** More power, less vibration and maintenance
The SB breakers work with inertial nitrogen energy recovery, thus obtaining more power (more than 30%) and less vibration thanks to the nitrogen chamber that reduces maintenance costs, since it has no diaphragm.
- 2** Long lasting of the nitrogen charge
In the past, energy recovery breakers required frequent nitrogen refills; with the new sealing system and the new compound developed by Freudenberg they are able to guarantee a gas tightness equal to 300% more than in the past.
- 3** Protected tubes
The tubes are completely protected through the casing and they're suitable for every type of excavation, especially in narrow spaces.
- 4** Silenced body
The particular design, with a closed box casing as well as the insertion of sound-absorbing material, allowed to reach very low noise levels for a breaker.
- 5** Double retainer pin
The tool locking system with double retainer pin allows an adequate and uniform wear of the same and ensures longer maintenance intervals for the whole locking system.
- 6** Monoblock body without tie rods
The entire SB series benefits from the particular monoblock construction; this feature gives the structure a very high resistance to leverage, during work. The breaker is built in one only piece and it is without tie rods, thus obtaining greater production and less maintenance as a result.
- 7** Only two moving parts.
- 8** For all types of installations (pressurization)
The SB series tolerates high back pressure and it has a wide calibration range of the required oil flow, in order to get the installation easier.
- 9** The piston moves in a single interchangeable cylinder liner that keeps the main body intact and that is easy to replace in case of necessity.
- 10** The piston is built with a special geometry such as to keep a constant energy of impact, as well as for reducing breakages in conditions of criticality.
- 11** Visibility and versatility
The models of the SB series, with their tapered shape, provide the operator with an excellent view during the work and allow to operate close to the walls, both in narrow section and with open front.



HYDRAULIC BREAKERS WITHOUT TIE RODS

8 models for excavators with operating weight from 0,5 to 11 ton

SB SERIES

- MORE POWER / LESS VIBRATIONS AND MAINTENANCE
- LONG LASTING OF THE NITROGEN CHARGE
- PROTECTED TUBES
- SILENCED BODY
- DOUBLE RETAINER PIN
- MONOBLOCK BODY WITHOUT TIE RODS
- ONLY TWO MOVING PARTS
- FOR ALL TYPES OF INSTALLATIONS
- VISIBILITY AND VERSATILITY



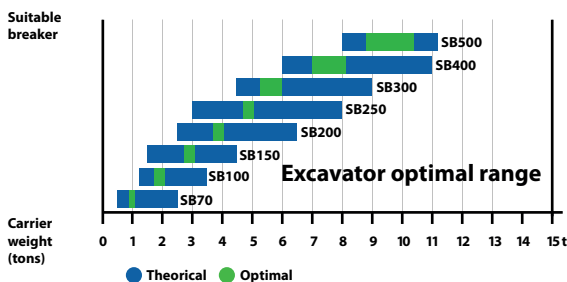
BREAK IN A SMART WAY

MODELS

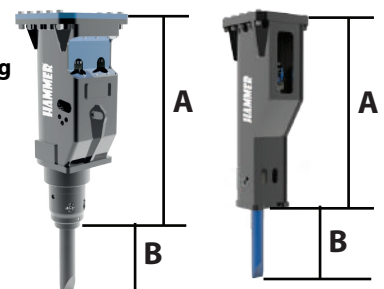
		SB70	SB100	SB150
CARRIER WEIGHT	t	0.5-2.5	1.2-3.5	1.5-4.5
WEIGHT	kg	70	100	135
BODY HEIGHT (A)	mm	583	666	666
TOOL HEIGHT (B)	mm	228	255	255
CHISEL DIAMETER	mm	40	45	48
REQUIRED OIL SUPPLY	l/min	13-20	15-30	18-40
OIL HAMMER PRESSURE	bar	100	110	110
BLOWS PER MINUTE	/	800-1750	800-2300	800-2000
ENERGY PER BLOW	j	280	400	580
MAX. BACK PRESSURE	bar	30	30	30
INNER DIAM. IN HOSE	inch	1/2"	1/2"	1/2"
INNER DIAM. OUT HOSE	inch	1/2"	1/2"	1/2"

*All illustrations and numerical data in this catalog are purely indicative and subject to change at our discretion and without notice. We therefore reserve the right to modify them with a view to improving and continuously developing our product.

WWW.HAMMEREUROPE.COM



Technical Drawing





**FIND OUT
MORE**



Moil Point
Suitable for concrete,
medium-hard and not layered rocks.



Pile Driver
Suitable for planting
wooden or concrete poles.



Asphalt Cutter
Suitable for cutting asphalt



Blunt Tool
Suitable for reinforced concrete and very
compact rocks.



Pyramid Tool
Suitable for reinforced concrete and very
compact rocks.



Chisel Tool
Suitable for medium-hard
and layered rocks.



Wood Cutter Tool
Suitable for cutting all types
of wood.



MINING & QUARRYING



DEMOLITION & RENOVATION



CONSTRUCTION



METALLURGICAL INDUSTRY

MODELS

		SB200	SB250	SB300	SB400	SB500
CARRIER WEIGHT	t	2.5-6.5	3.0-8.0	4.5-9.0	6.0-11	8.0-11
WEIGHT	kg	190	240	300	430	480
BODY HEIGHT (A)	mm	869	869	904	1135	1135
TOOL HEIGHT (B)	mm	275	300	295	378	431
CHISEL DIAMETER	mm	55	65	75	80	90
REQUIRED OIL SUPPLY	l/min	25-55	30-60	50-70	75-90	85-110
OIL HAMMER PRESSURE	bar	130	140	160	150	150
BLOWS PER MINUTE	/min	900-1900	850-1800	600-1500	500-1300	600-1200
ENERGY PER BLOW	j	750	950	1200	1700	2300
MAX. BACK PRESSURE	bar	30	30	30	30	30
INNER DIAM. IN HOSE	inch	1/2"	1/2"	3/4"	3/4"	3/4"
INNER DIAM. OUT HOSE	inch	1/2"	1/2"	3/4"	3/4"	3/4"

*All illustrations and numerical data in this catalog are purely indicative and subject to change at our discretion and without notice. We therefore reserve the right to modify them with a view to improving and continuously developing our product.





Valvola di Velocizzazione
Speed Valve
Eilgangventil
Speed Valve
Valvula de Velocidad
Скоростной клапан



Moltiplicatore di pressione BOOSTER
Pression multiplier BOOSTER
Druckmultiplikator BOOSTER
Multiplicateur de pression BOOSTER
Multiplicador de presión BOOSTER
Множитель Давления BOOSTER



Peso attrezzatura
Equipment weight
Eigengewicht
Poids de l'outil
Peso del implemento
Вес оборудования



Rotazione continua 360°
360° rotation
360° Kontinuierliche Rotation
Rotation continue 360°
Rotación continua a 360°
Непрерывное вращение на 360°



Peso escavatore
Excavator weight
Baggergewicht
Poids du porteur
Peso Escavadora
Вес экскаватора



Portata olio della rotazione
Rotation oil flow capacity
Oelfluss der Rotation
Débit hydraulique rotation
Caudal de aceite necesario para la rotación



Peso escavatore - posto benna
Excavator weight - stick mounting
Baggergewicht - Loeffelstiehlmontage
Poids du porteur - au but du
Peso escavadora al segundo brazo
Вес экскаватора (Рукоять)



Pressione di esercizio rotazione
Rotation Pressure
Oeldruck der Rotation
Pression hydraulique rotation
Presión necesaria para la rotación
Давление ротации



Peso escavatore - posto braccio
Excavator weight - boom mounting
Baggergewicht - Baggerarmmontage
Poids machibe - montage a la place du
balancier
Peso escavadora al balancin



Pressione di esercizio escavatore
Excavator working pressure
Oeldruck der Bagger
Pression hydraulique excavateur
Presión de la Escavadora
Давление откр./закр. челюстей

F3

Forza in punta
Tip force
Schliesskraft auf die Spitze
Force à la pointe
Fuerza en punta
Мощность на кончике



Portata olio escavatore
Excavator oil flow capacity
Oelfluss der Bagger
Débit hydraulique excavateur
Caudal aceite de la Escavadora
Поток откр./закр. челюстей



Lunghezza lama
Steel blade length
Messerlaenge
Longuer couteau
Anchura cuchilla
Длина ножей

All illustrations and numerical data in this catalog are purely indicative and subject to change at our discretion and without notice. We therefore reserve the right to modify them with a view to improving and continuously developing our product.